



GREATER FLEXIBILITY FOR WORKSPACE DESIGN

Introducing Essentia, the newest and most exciting member of Workrite's height-adjustable workcenter portfolio. Featuring our exclusive European manufactured industrial design, an inductive touch control switch with 6 memory presets, and adjustable stretchers that allow one frame set to fit several top sizes, Essentia is truly in a league of its own.

Essentia is available in 2-leg or 3-leg configurations, meets BIFMA G1-2013 standards for adjustability, exceeds BIFMA X5.5 requirements for durability, is UL Listed, and Greenguard Gold certified. Essentia is, quite simply, one of the highest quality value priced workcenters in the market today!



Three user pre-sets for both sit and stand equal six total programmable settings.



Swipe a finger over the touch control to lock or unlock the position of the workcenter.

ESSENTIA ELECTRIC FRAME SET

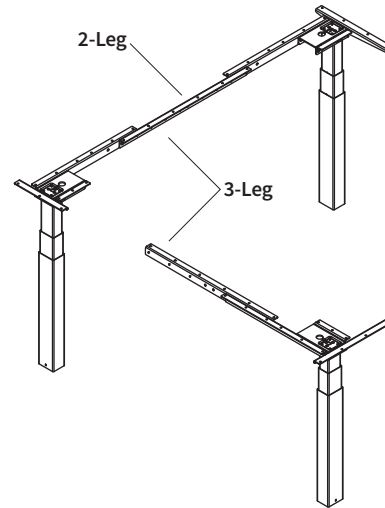


Essentia Electric Frame Set

All Frame Sets include: legs, brackets, motor(s) and cables.

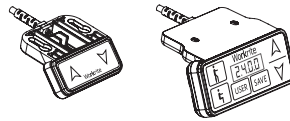
Specifications

- Frame options: 2-leg and 3-leg frames
- Expandable stretchers enable greater flexibility
- Widths from 34" to 84" depending on shape
- 24" or 30" depths
- Finish options: Silver, charcoal, and white
- Height range: 22.5" to 48.7"
- Payload capacity: 225 pounds for 2-leg models
300 pounds for 3-leg models
- Travel speed: 1.8 inches per second
- Max power draw: 120 V, 60 Hz, 3 A (2-leg) 5 A (3-leg)
- Standby power: 0.3 W
- Workrite Essentia has achieved GREENGUARD GOLD Certification
- UL962 listed



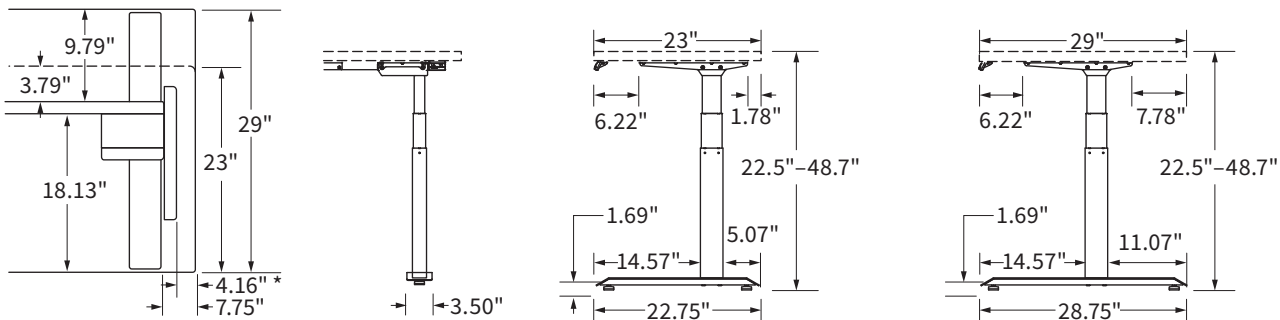
Options sold separately

- Control options: Essentia Basic Switch
Essentia Programmable Switch



- Laminated Worksurfaces: Any laminate and edge treatment in the Workrite program
- Workrite frame sets can also be used with existing worksurfaces or new worksurfaces from other manufacturers

Dimensions



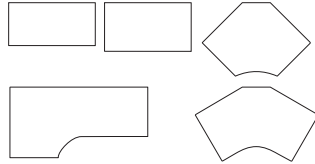
GSA Products listed on this page are available through GSA Contract GS-28F-0030S SIN #711-2 (Schedule 71)

ESSENTIA ELECTRIC FRAME SET

Essentia Frame Sets

2-Leg Shapes

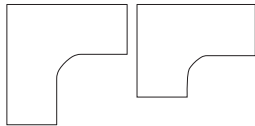
Essentia Frame Set, 30-48" Wide
Essentia Frame Set, 54-72" Wide



Model #		
Silver	Charcoal	White
ES3E30-48-S	ES3E30-48-C	ES3E30-48-W
ES3E54-72-S	ES3E54-72-C	ES3E54-72-W

3-Leg Shapes

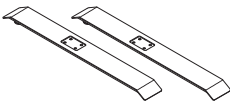
Offset Corners from 54"-72" W x 42-48" W
Equal & Offset Corners from 54"-72" W x 54"-72" W
Offset Corners from 78"-90" W x 42-48" W



Silver	Charcoal	White
ES3E5472-4248OC-S	ES3E5472-4248OC-C	ES3E5472-4248OC-W
ES3E5472EOC-S	ES3E5472EOC-C	ES3E5472EOC-W
ES3E7890-4248OC-S	ES3E7890-4248OC-C	ES3E7890-4248OC-W

Essentia Workcenter Feet

Essentia Flat Foot Kit



Worksurface Depth	Model #		
	Silver	Charcoal	White
24"	ES-FS24-S	ES-FS24-C	ES-FS24-W
30"	ES-FS30-S	ES-FS30-C	ES-FS30-W
Dual Depth	ES-FS2430-S	ES-FS2430-C	ES-FS2430-W

Essentia Workcenter Controls

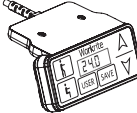
Essentia Standard Switch



- Simple up/down button control switch
- Includes cable management & mounting hardware
- Not interchangeable with the STDSWITCH

Model #
ES-B-SWITCH

Essentia Programmable Switch



- Inductive touch control prevents accidental movement
- Three user sit & stand memory pre-sets (six total)
- Swipe to lock/unlock feature
- Programmable upper and lower height limits
- Digital height readout
- Manual up/down control buttons
- Includes cable management & mounting hardware
- Not interchangeable with PROSWITCH

Model #
ES-P-SWITCH

WORKSURFACES

HOW TO CONFIGURE YOUR WORKSURFACE

Select a worksurface laminate & edgeband

Workrite's standard laminated worksurface program features 19 popular Wilsonart® laminates with coordinating 3 mm edgeband options. For larger, more accurate swatches of available laminates, please refer to the Materials & Finishes tab of the Workrite binder.

Laminates



Edgeband



A guide to the edge treatment model

Edge treatment part numbers consist of :

Worksurface size Edge type
T3423-B3

The example given is for a 34" wide, 23" deep rectangle that fits a 36" x 24" space, with 3 mm block edge.

A guide to the laminate model

Laminate part numbers consist of :

Laminate color Edgeband color
0705460-152

The example shown is for a top in Wild Cherry with Rainier Cherry 3 mm edgeband.



3mm Edge Band

Special order worksurfaces

Additional Wilsonart laminates and edge treatments may be available through our Special Order Program. Special order laminates and edge treatments are subject to minimum order quantities and require extended lead times. See the Special Order information in the Materials & Finishes tab of the Workrite binder.