

# ConSet sit-stand desk Series 501-27

Choose a frame suitable for your required top  
Frame available in four different widths  
Extremely competitive prices



327760.1



## Series 501-27

Flexibility is key to the new 501-27 series. More sizes, greater weight capacity, increased travel and integrated anti-squeeze system. As industry and customer requirements evolve so does ConSet, and that's why we are constantly engaged in new product development. Never Sitting Still – now that's ConSet.

- Frame capacity:** 276 Lbs
- Speed:** 1.2" per second
- Frame width:** 32-7/8" – 50-7/8" – 56-11/16" – 59-13/16"
- Height range:** 22" - 48" (Frame 21" - 47")

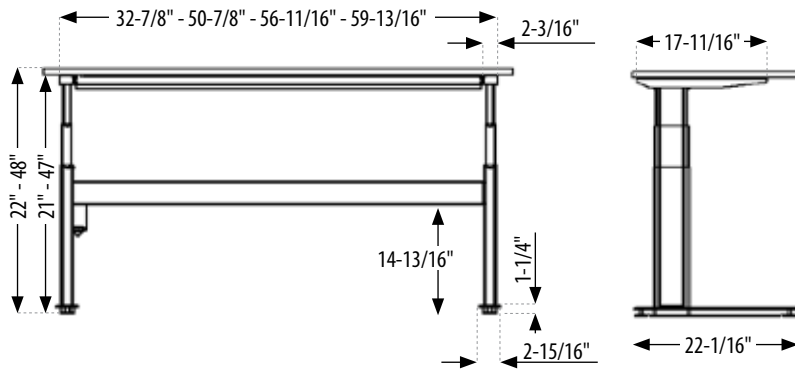
See full specifications and options on backpage.

**ConSet America**

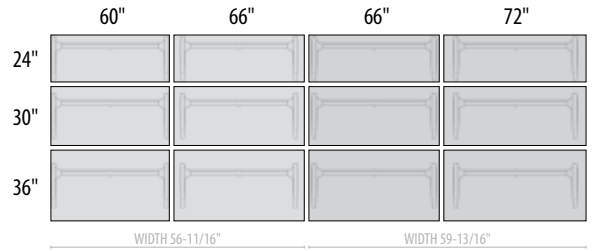
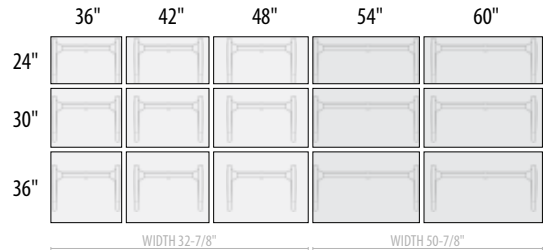
ConSet America • PO Box 1301 • 225 Elf Way • Pittsboro • NC 27312 • USA  
Phone: 800-293-9051 or 919-542-6145 • info@conset.us • www.conset.us

## Series 501-27 2-column

### Dimensions:

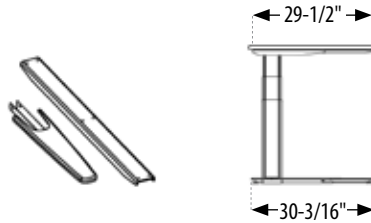


### Table tops / cube suitable:

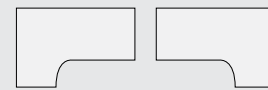


### Accessory: 501-27 support extender

Extender leg and support bracket allows for return tops up to 48"

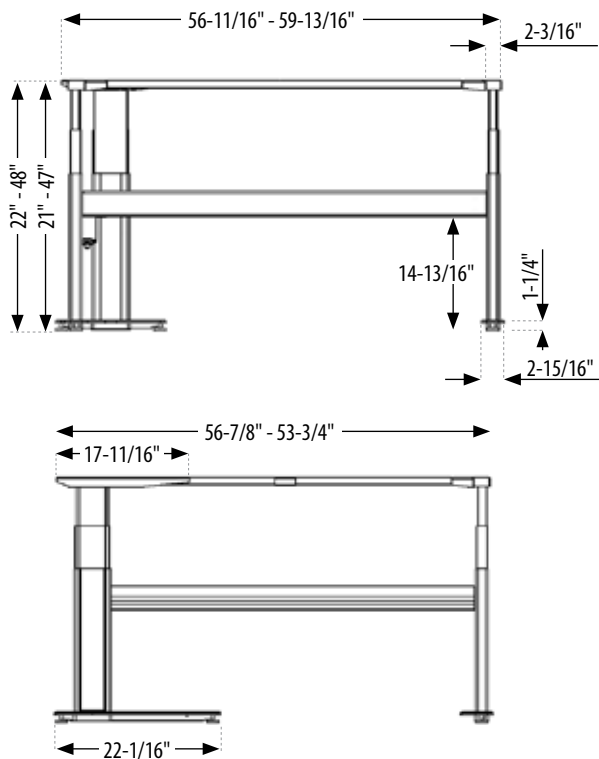


Return tops up to 48"



## Series 501-27 3-column

### Dimensions:



### Table tops / cube suitable:

