

Diffrient World marks Humanscale's first foray into all-mesh task seating. Like its mesh-backed forerunner, Liberty, Diffrient World's tri-panel backrest hugs the body to provide tailor-made lumbar support, while its mesh seat eliminates contact stress under the thighs. But Diffrient World's major innovation is its mechanism-free recline action, which leverages two parts of the chair's frame, the user's body weight, and the laws of physics to provide automatic and balanced support throughout the full range of recline. No chair is more intuitive, creating the ultimate user-friendly sitting experience.



#### PHYSICAL CHARACTERISTICS

##### CUSHIONS

- Non-stretch, tri-panel mesh back
- Non-stretch mesh seat
- Optional upholstered polyurethane foam seat cushion

##### EXTERNAL FRAME

- Injection-molded, structural, integral color glass-filled Nylon 6

##### STORED ENERGY DEVICES

- Pneumatic cylinder for adjustable seat height

##### OPTIONAL FOOT RING (available 2nd quarter 2010)

- Chrome-plated steel

#### ENVIRONMENTAL HIGHLIGHTS

- Contains 34% recycled content (10% post-consumer, 24% pre-consumer)
- 97% recyclable
- Weighs only 25 lbs.
- Modular parts for easy replacement
- Designed for easy disassembly
- Ships in 85% recycled packaging or blanket-wrapped when feasible
- 15-year 24/7 warranty for a long life of service



## STANDARD FEATURES

### SELF-ADJUSTING RECLINE

- Mechanism-free counter-balance recline action automatically provides the right amount of support through the full range of recline motion, regardless of user size and weight
- No tension springs to adjust
- No recline locks to set/release
- During recline, the angle between torso and legs opens up for better body function
- User maintains near-constant eye level during recline

### PIVOTING BACKREST

- Extra motion of the backrest during recline automatically adjusts to the changing needs of the spine
- Provides additional lumbar support as needed

### FORM-SENSING MESH

- Tri-panel, non-stretch mesh construction creates body-fitting contours and self-adjusting lumbar support for a customized fit
- No external lumbar devices to adjust, break or lose
- Low-abrasion mesh protects clothing
- Modular for easy replacement and upgrades

### NON-STRETCH MESH SEAT

- Automatically sculpts to match body contours
- Cradles the body in flexible, breathable mesh
- Frameless front edge eliminates contact stress under the thighs

### STANDARD CYLINDER

- Provides seat height range that accommodates 95% of the population

### BODY FIT

- Size adjustable to fit 95% of the population
- Form-sensing mesh provides perfect lumbar support—automatically
- Manual adjustments for fit-to-size:
  - Seat Height: 5" (127mm) adjustment range
  - Seat Depth: 3.5" (89mm) adjustment range

### CASTERS

- 3" (76mm) standard hard casters

## OPTIONAL FEATURES

### ARMREST OPTIONS

- Armless
- Fixed armrests
- Height-adjustable armrests with 3.2" (81mm) range of adjustment

### ARM PAD OPTIONS

- Flexible Duron
- Matching textile-covered arm pad

### UPHOLSTERED SEAT CUSHION

- Mesh topped with a thin layer of polyurethane foam
- Upholstered in a variety of textile options

### CYLINDER OPTIONS

- Low cylinder for small users
- Tall cylinder for very tall users (available 2nd quarter 2010)
- High cylinder with foot ring (available 2nd quarter 2010)

### FIREPROOFING

- CAL 133 certification pending (expected late 1st quarter 2010)

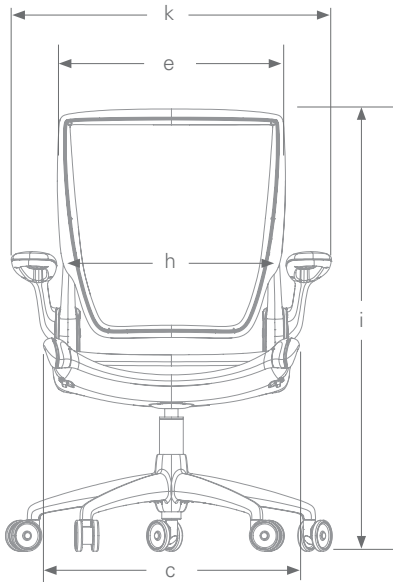
### CASTER OPTIONS

- Non-rolling glides for fixed location use
- Optional soft casters for hard floors

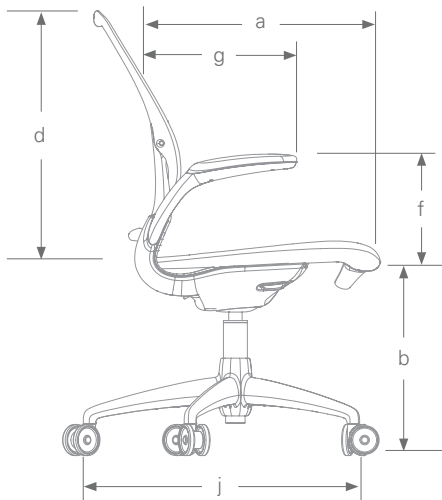
### FOOT RING (available 2nd quarter 2010)

- Chrome finish
- Height-adjustable

SPECIFICATIONS



CODE	DESCRIPTION	MEASUREMENT
a	seat depth <i>(from face of lumbar to front of seat)</i>	16.5" – 20" (419mm – 508mm)
b	seat height <i>(from floor to compressed front center of seat cushion)</i>	16" – 21" (406mm – 533mm) standard chair 15.25" – 19" (387mm – 483mm) low chair 17" – 22.25" (432mm – 565mm) tall chair 20.5" – 28.5" (521mm – 724mm) high cylinder with foot ring
c	seat width	21.1" (536mm)
d	backrest height <i>(from seat cushion to top of backrest)</i>	23" (584mm)
e	backrest width	19" (483mm)
f	armrest height <i>(from compressed seat cushion to top of armrest)</i>	9.75" (248mm) fixed 7.75" – 11" (198mm – 279mm) adjustable
g	armrest length <i>(from face of lumbar to front of armrest)</i>	12.5" (318mm)
h	distance between armrests	19" (483mm)
i	height	36.5" – 41.5" (927mm – 1,054mm) standard chair 35.75" – 39.5" (908mm – 1,003mm) low-cylinder chair 37.5" – 42.75" (953mm – 1,086mm) tall-cylinder chair 41" – 49" (1,041mm – 1,245mm) high cylinder chair with foot ring
j	base diameter	24" (610mm)
k	chair width	26" (660mm)



SCOPE OF USERS

- Conference/Task chair fits 95% of the office population
  - 5'0" (152cm) Woman to 6'4" (193cm) Man
  - 100 to 300 lbs. (45.4kg – 136kg)
- Users outside the standard height range can be accommodated by Low or Tall Cylinder

WEIGHT

- 27 lbs. (12.2kg) Conference/Task chair
- 25 lbs. (11.3kg) Armless chair

TILT AND RECLINE

- 17° recline plus 8° backrest tilt

REFERENCE ANGLE BETWEEN SEAT AND BACK

- 100° to 125°