

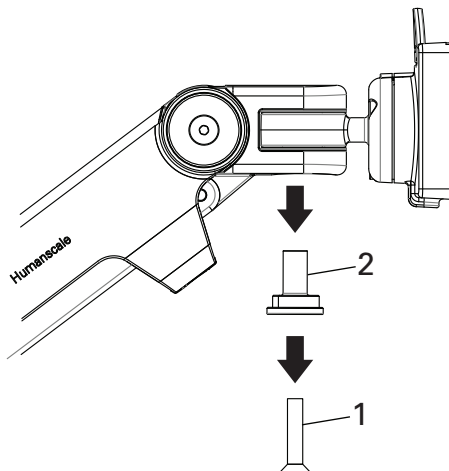
M8 Conversion to and from Crossbar Instructions

1. Remove Screw.

Use an M5 Hex Key.

2. Remove Ball Joint Insert.

Some wiggling of ball joint might be required to loosen the insert.



3. Remove Ball Joint.

Ball joint should slide free of M8 arm. There should be 2 black plastic washers.

To re-assemble, follow directions in reverse.

